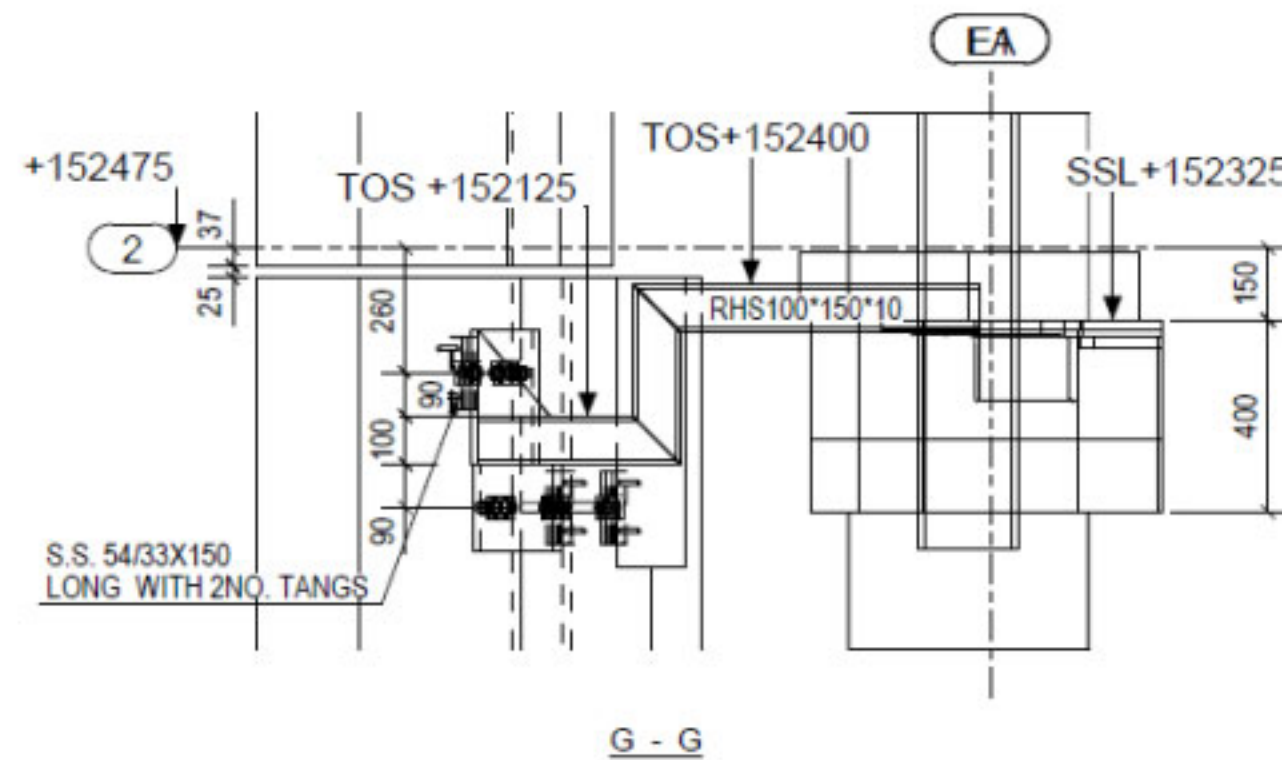
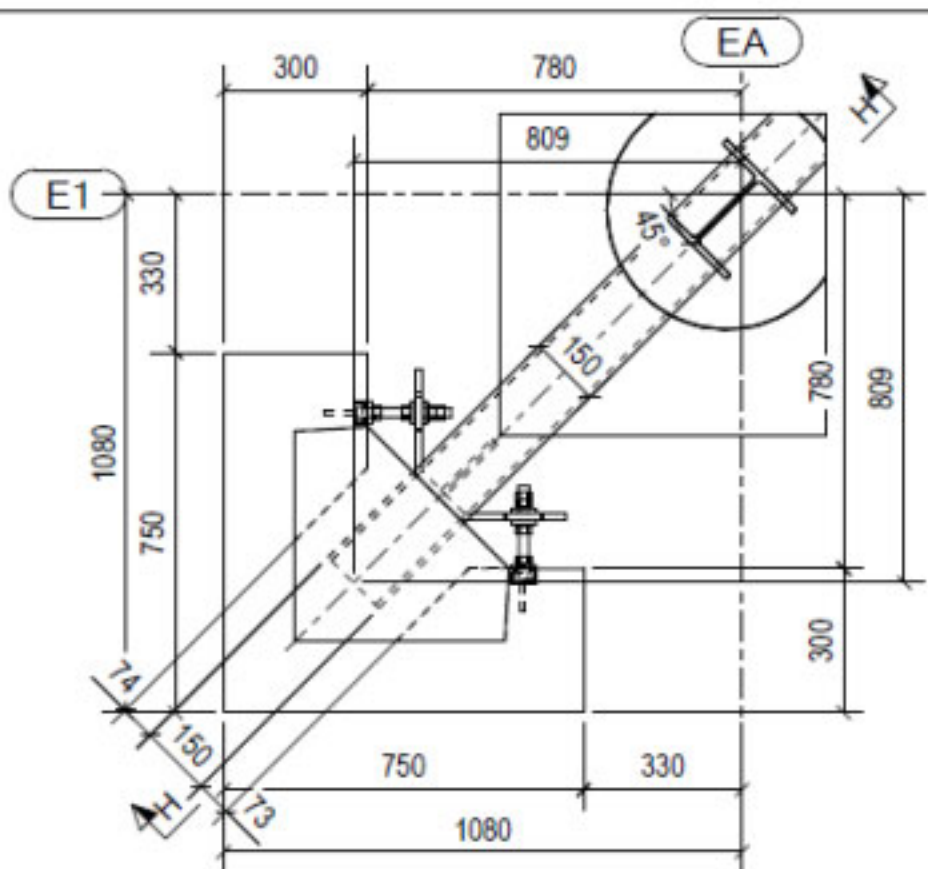


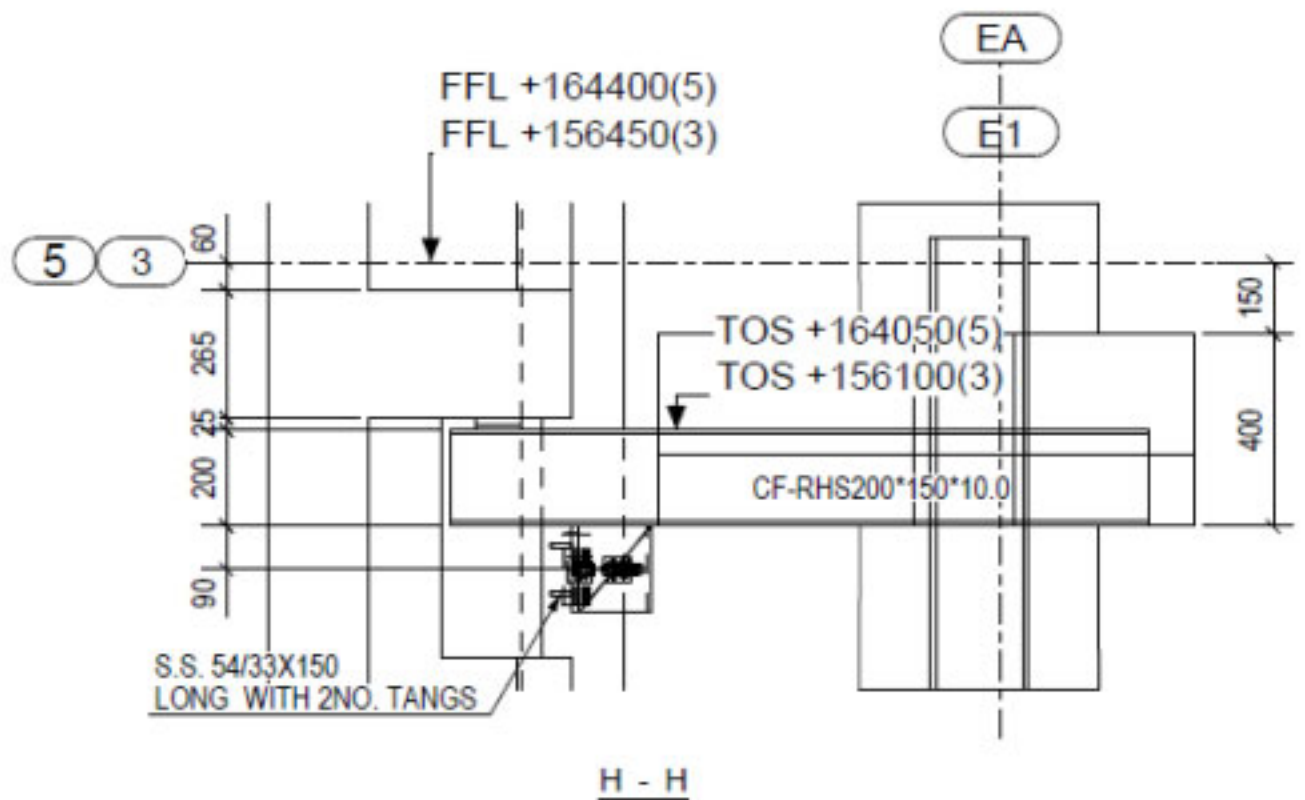
DETAIL 21  
Plan @ Level 2



G - G



DETAIL 22  
Plan @ Level 3&5



H - H