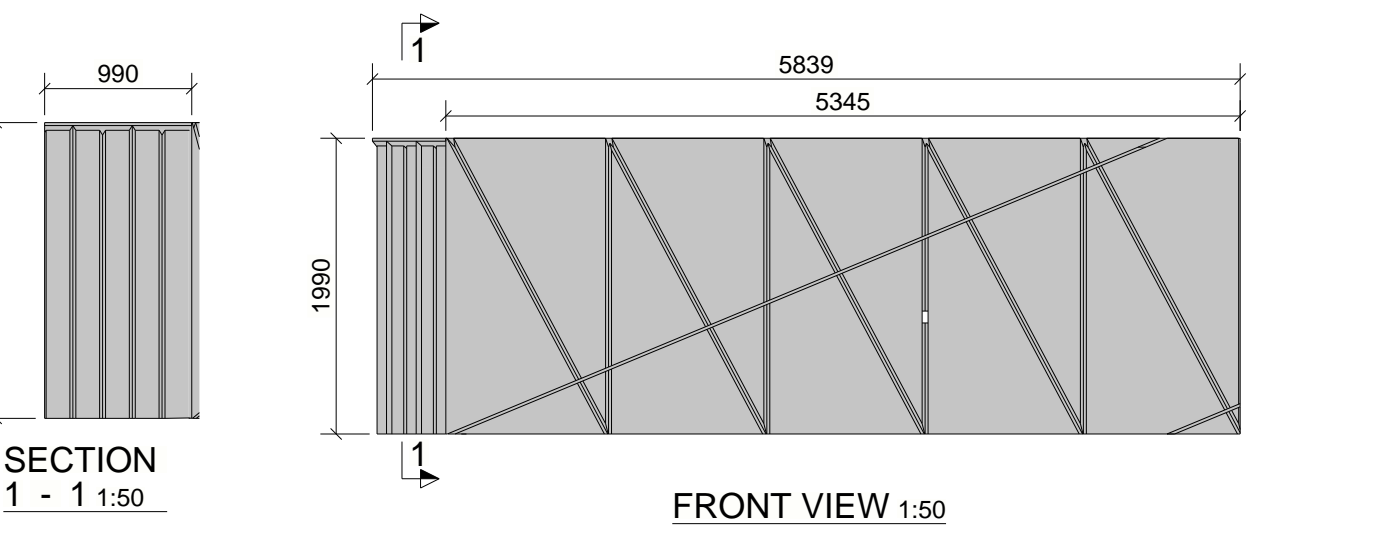
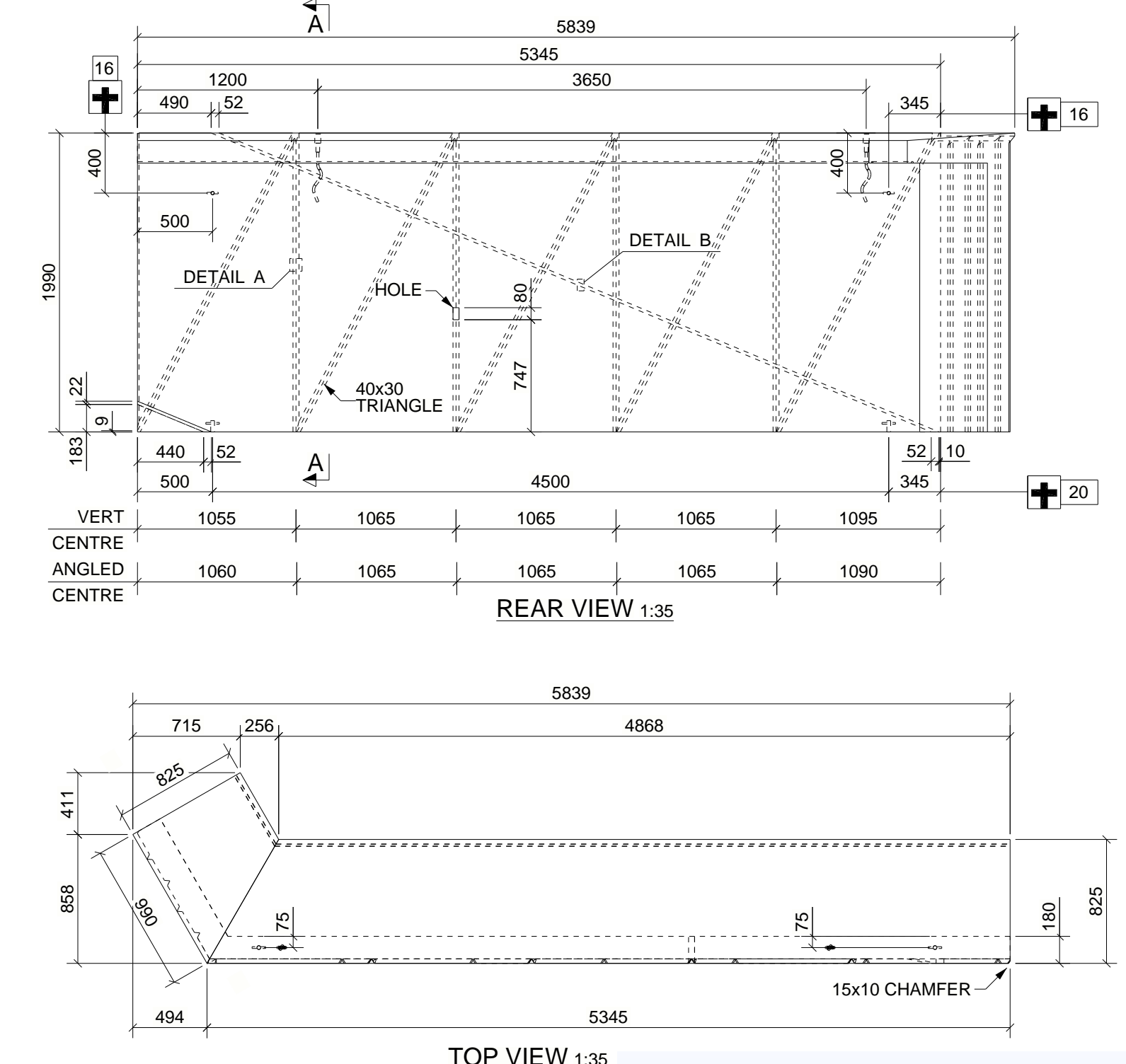
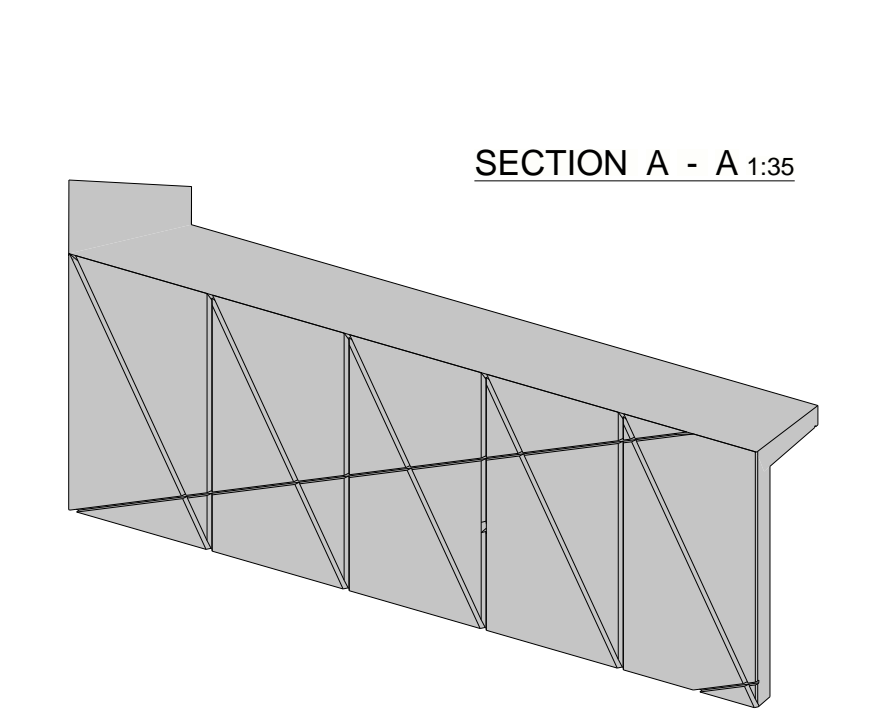
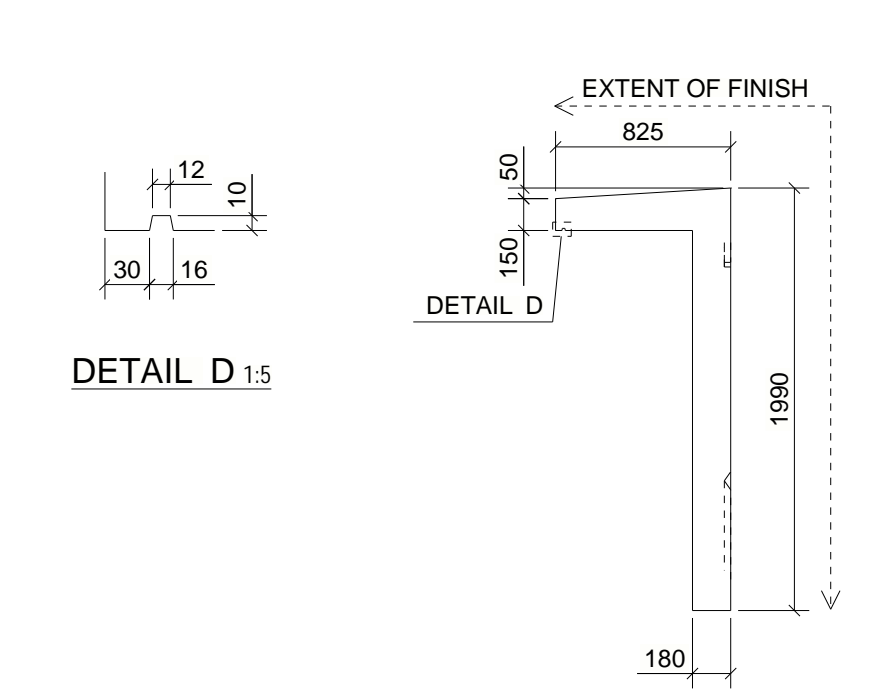
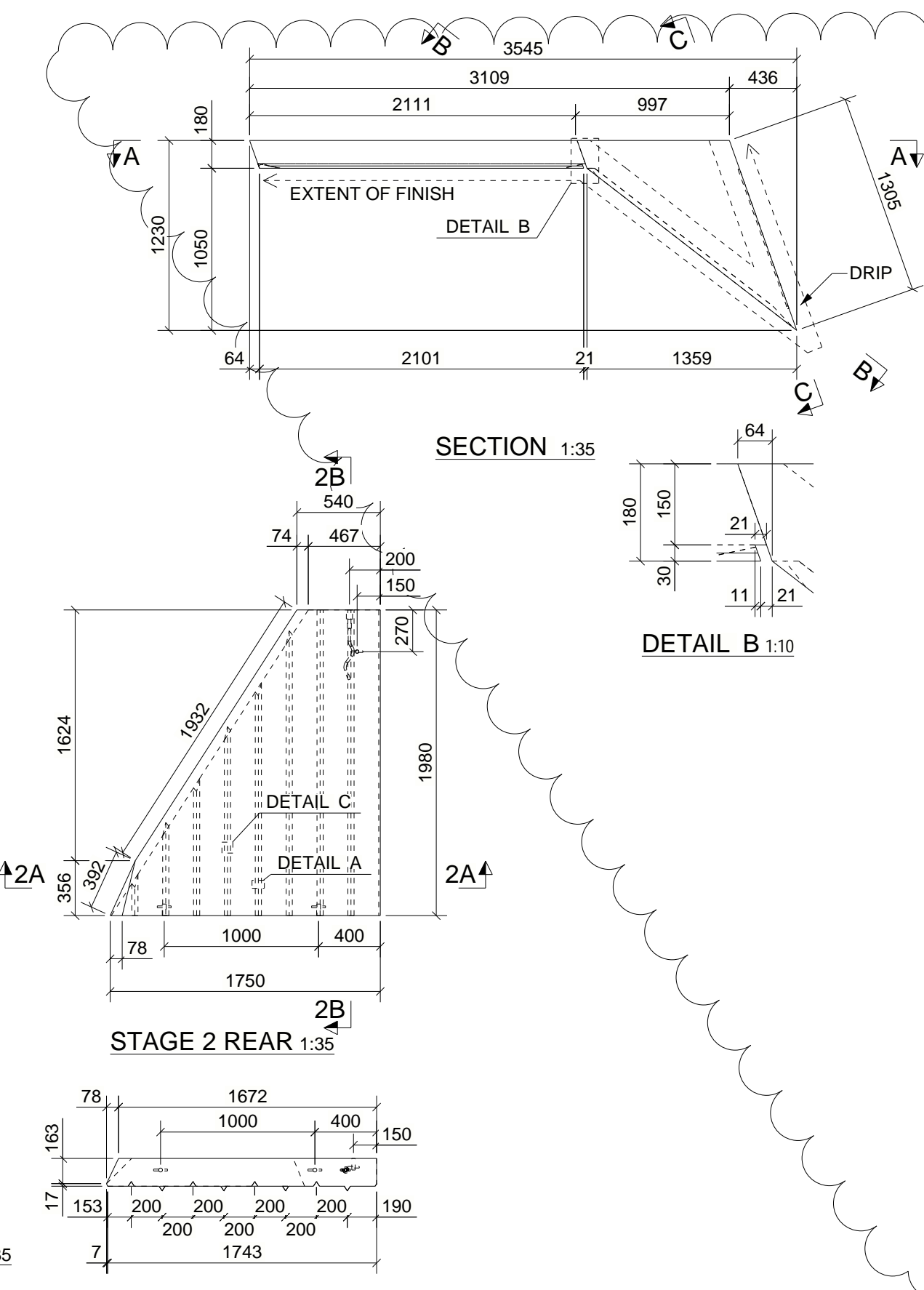
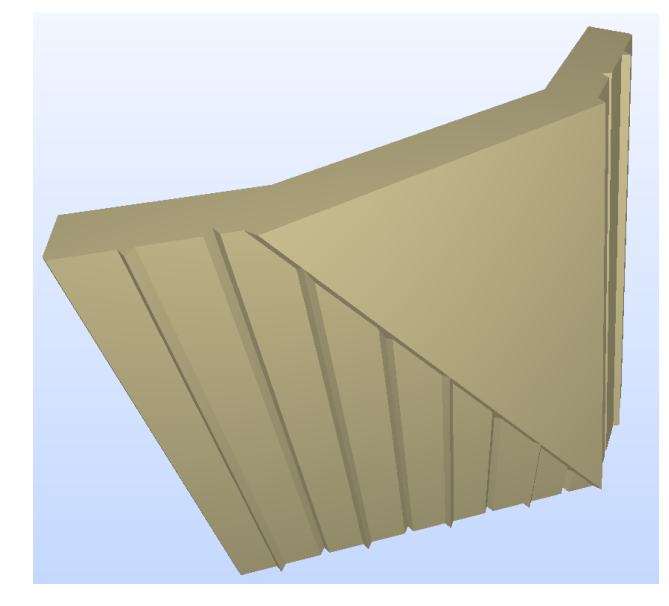


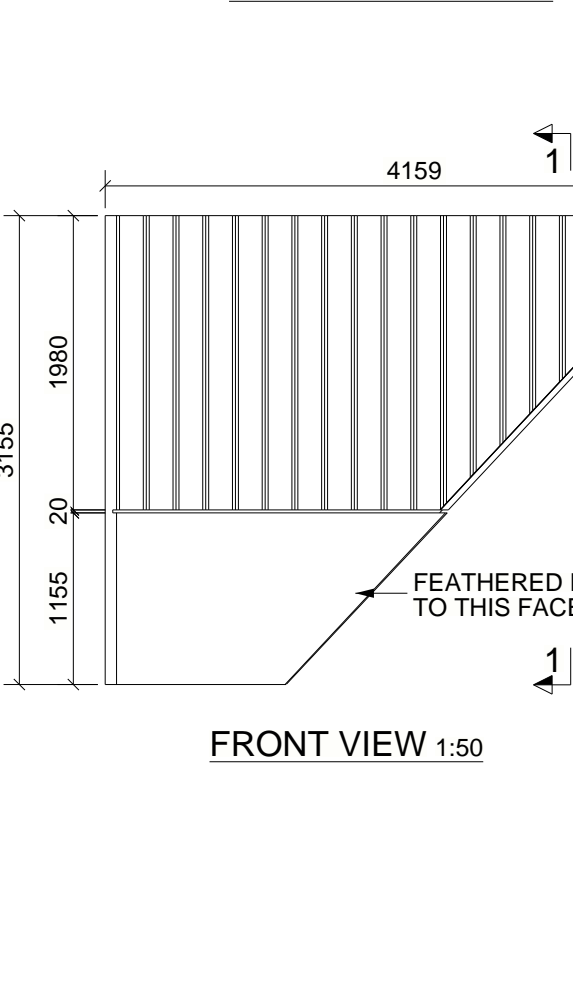
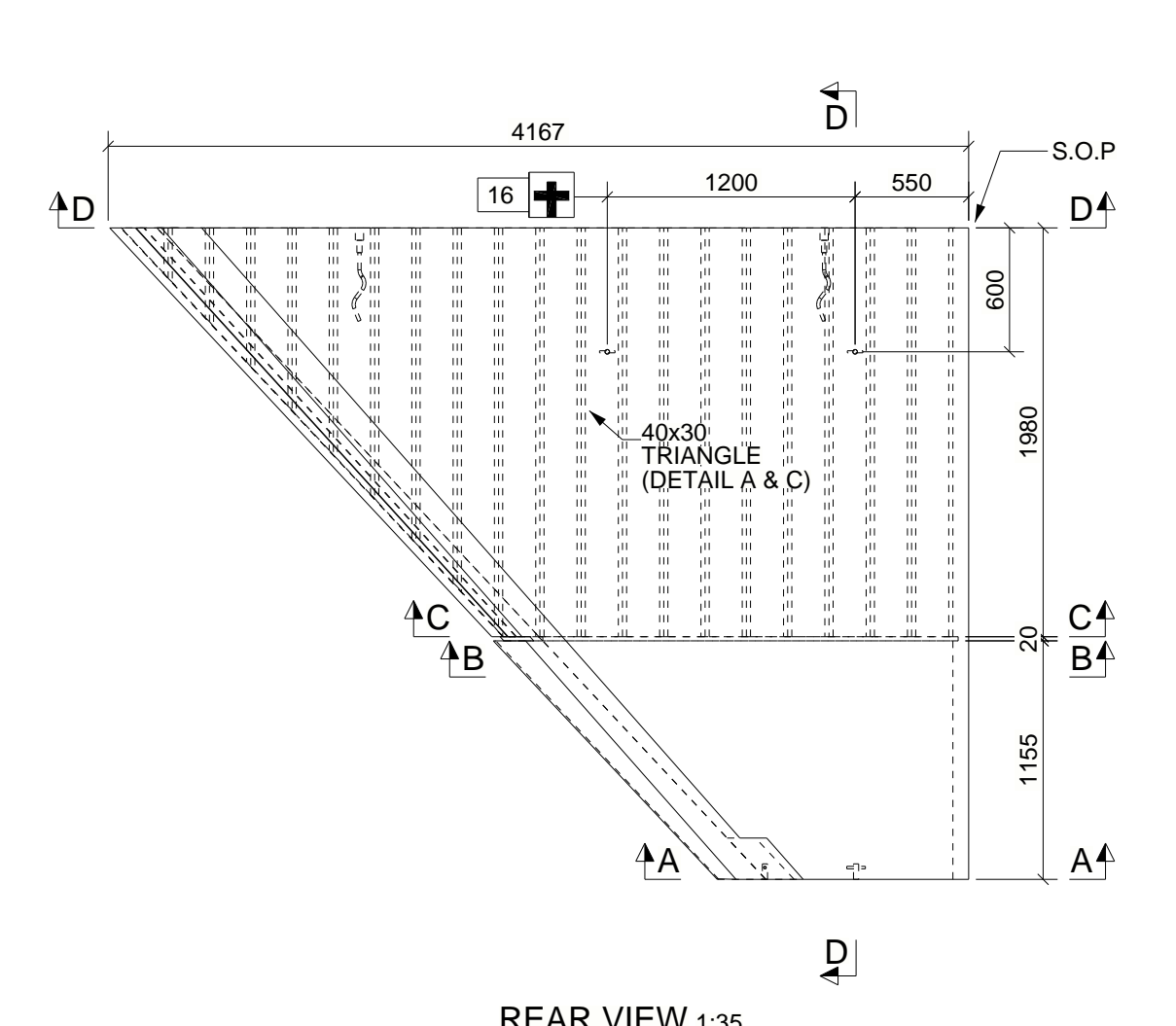
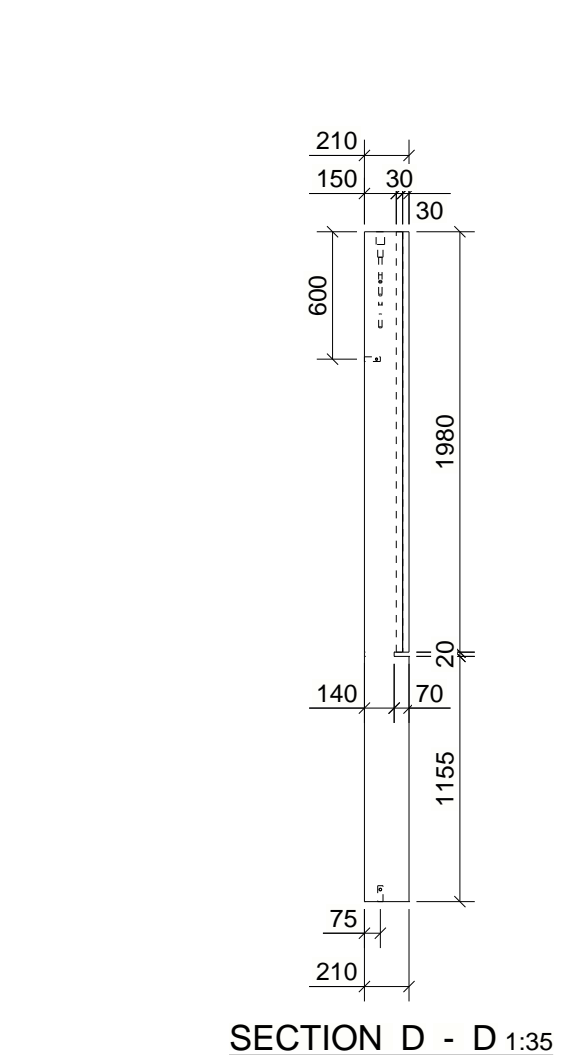
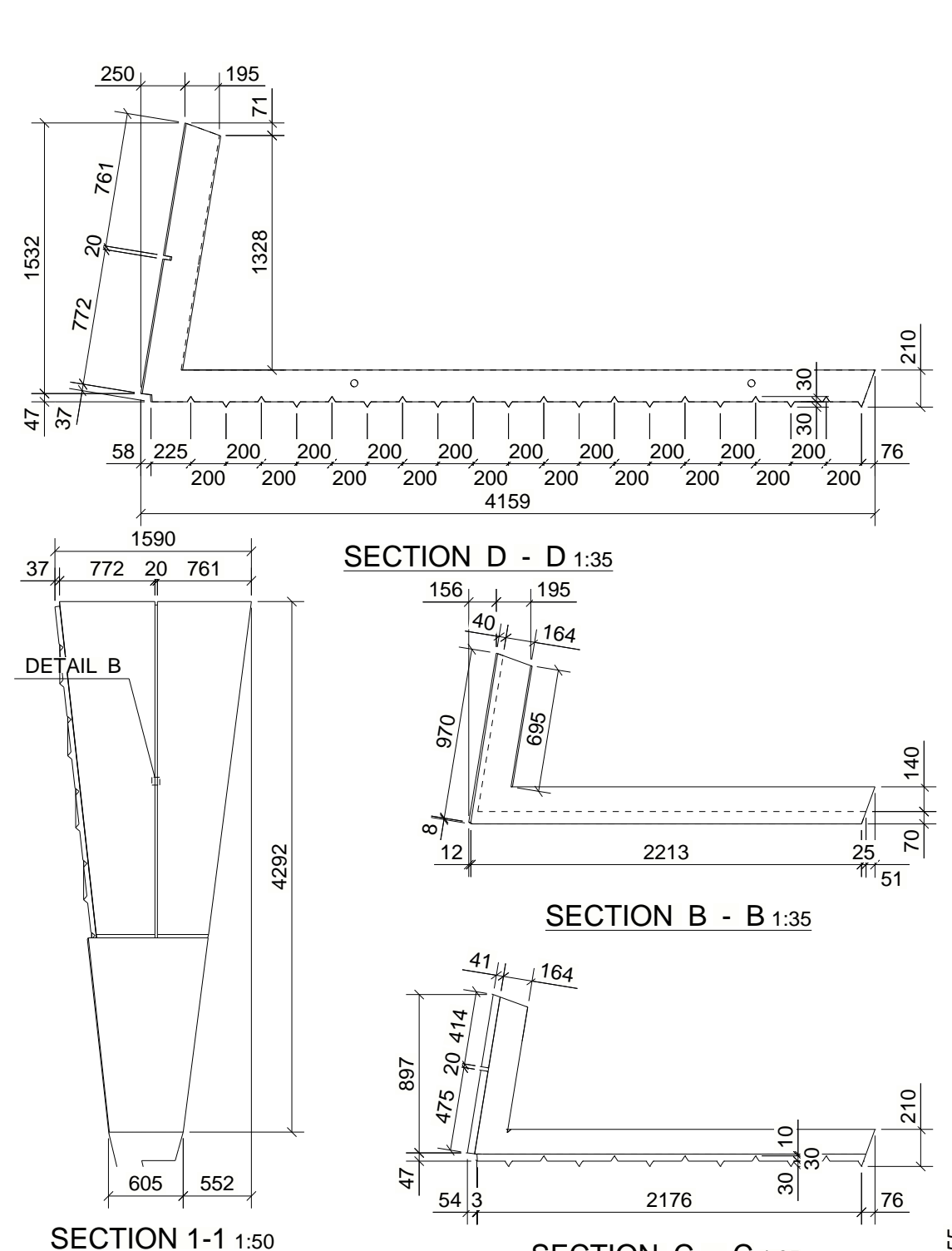
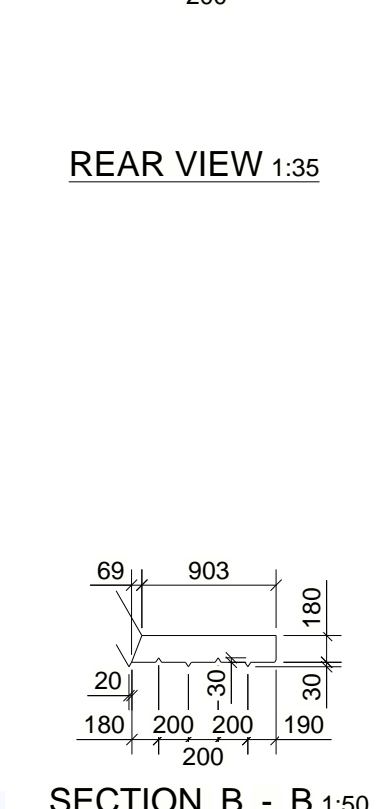
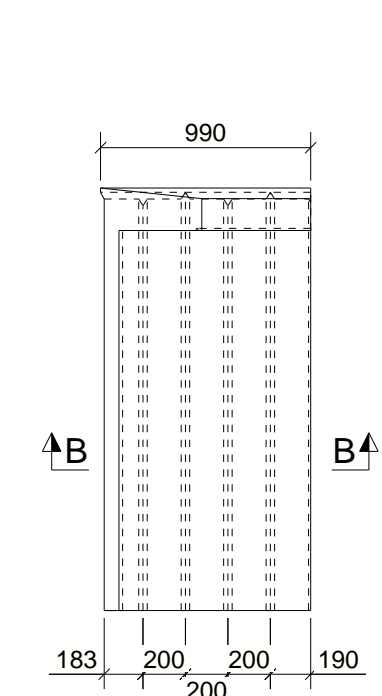
VAM-7



VAM-9



VAM-8

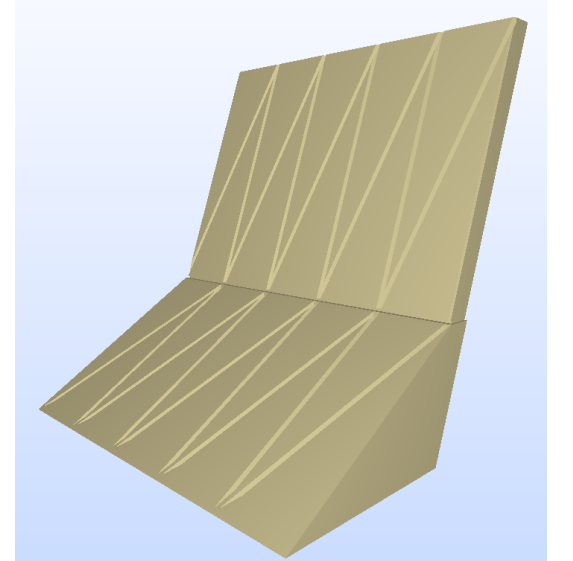


VAM-10

REV	DATE	DESCRIPTION	CKD
P01	04/11/20	FOR APPROVAL	CM

Except as permitted by the Copyright Design and Patents Act 1988, no part of this document may be reproduced, stored, transmitted or distributed in any form or by any means, whether electronic, mechanical, by photocopy recording or otherwise, without prior permission of the London Legacy Development Corporation (LLDC), its assigns and Techrete Ireland Ltd (the Parties). Except where otherwise expressly agreed in writing the Parties shall have no responsibility or liability for any loss (direct, consequential or otherwise) which may arise from the reliance on or the use of this document or the information contained in it.

This drawing was issued for the purpose of design intent only. The Consultant and Sub Consultant are not responsible for, nor shall be liable for, the consequences of any use made of this drawing other than that for which it was produced.



VAM-8 IS STILL IN DEVELOPMENT STAGE

Drawing Author:

 Prepared on behalf of the LLDC

FOR APPROVAL

Stratford Waterfront - V&A East
 FACADE PRECAST MOCK UP
 CASTING DETAILS
 MP313-SW02-07-XX-W-DDE-0200-3205-0003

SCALE: AS SHOWN
 OFFICIAL: PROTECTED

Suitability
S4
 Revision
P01